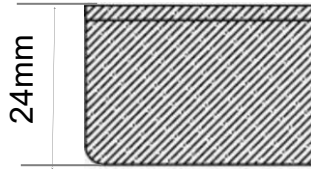
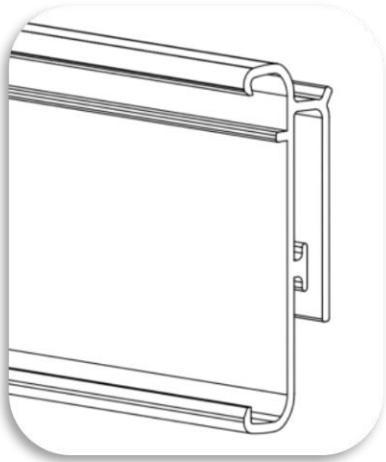


## MOUNTING ACCESSORIES for Electronic Shelf Label

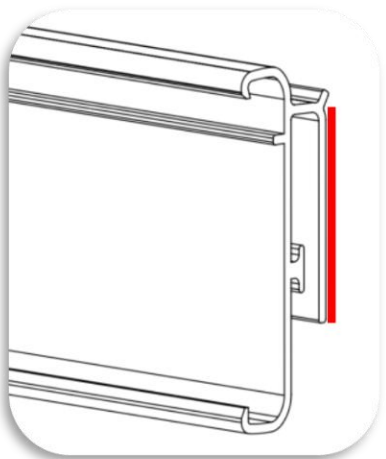


## ESL rails for shelf-edge



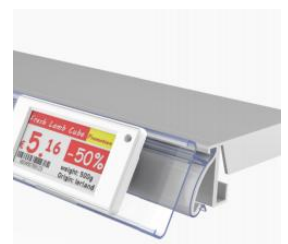
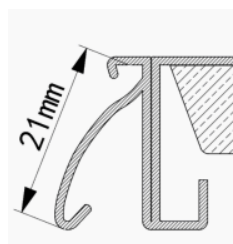
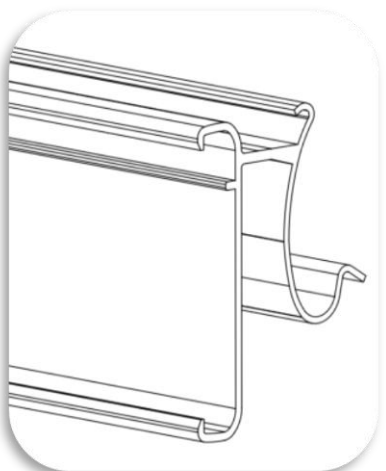
Flat rail to screw in or paste

Model No.	Material	Color	Compatible ESL
RAIL-DGA2200	PVC	Clear	1.54"/2.13"/2.66"/ 2.9"/3.5"/4.2"



Flat rail with tape

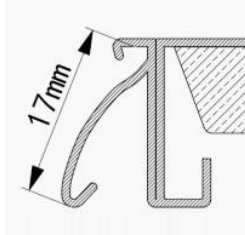
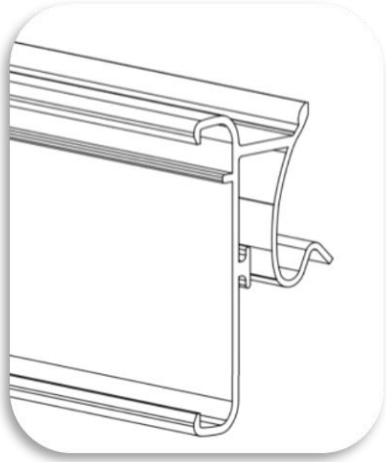
Model No.	Material	Color	ESL
RAIL-DGA2200G	PVC	Clear	1.54"/2.13"/2.66"/ 2.9"/3.5"/4.2"



Rail for slimline 21mm

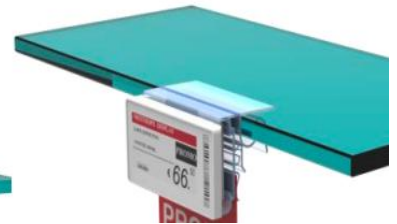
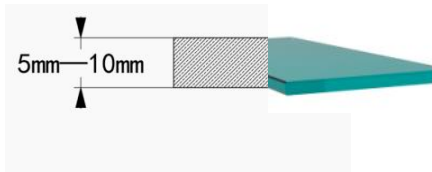
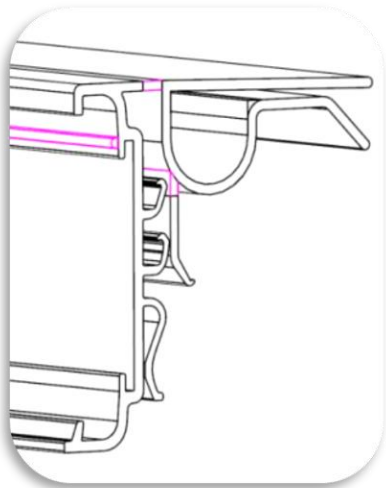
Model No.	Material	Color	ESL
RAIL-DGC2196	PVC	Clear	1.54"/2.13"/2.66"/ 2.9"/3.5"/4.2"

## ESL rails for shelf-edge



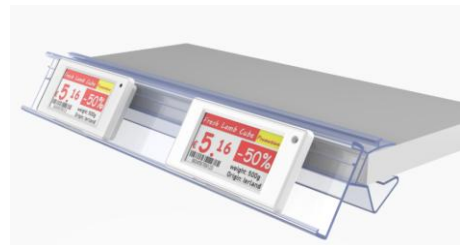
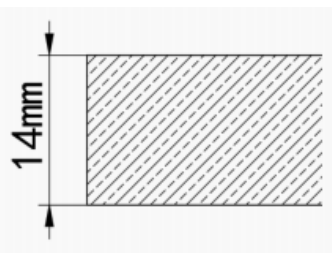
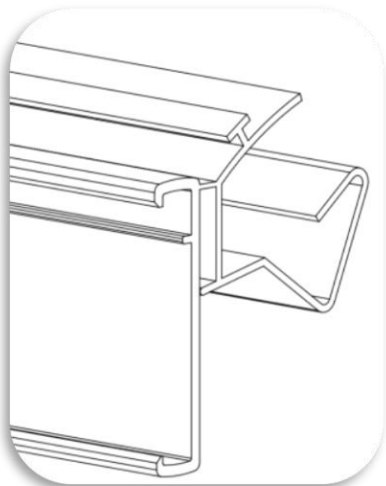
Rail for slimline 17mm

Model No.	Material	Color	Compatible ESL
RAIL-DGC1771	PVC	Clear	1.54"/2.13"/2.66"/ 2.9"/3.5"/4.3"/4.2"



Rail for 5-10mm glass shelf

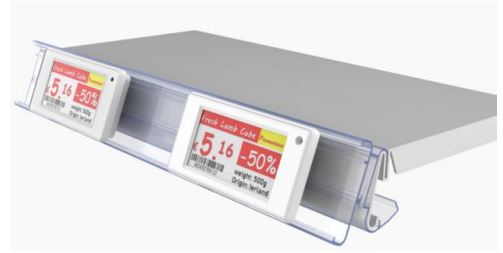
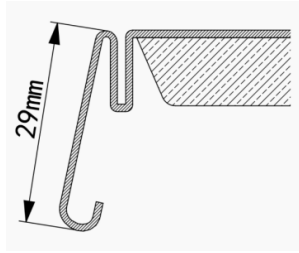
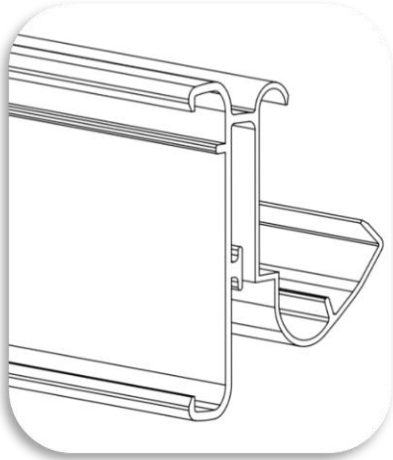
Model No.	Material	Color	ESL
RAIL-DGD1148	PVC	Clear	1.54"/2.13"/2.66"/ 2.9"/3.5"/4.3"/4.2"



Rail for 14~22mm wooden shelf

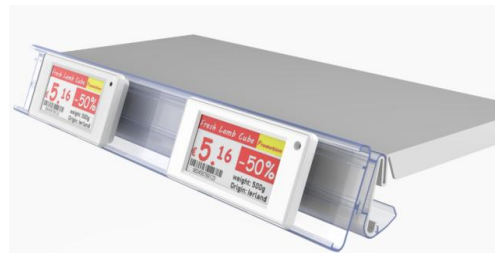
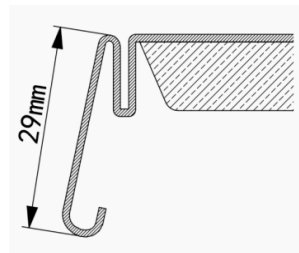
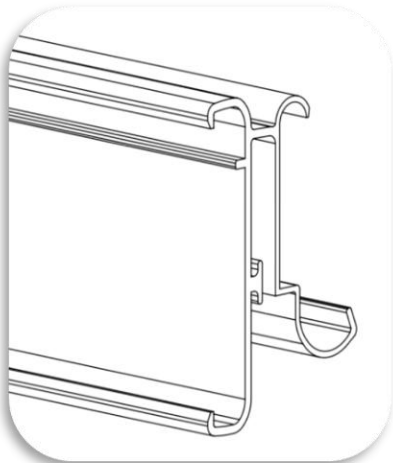
Model No.	Material	Color	ESL
RAIL-DGD1368	PVC	Clear	1.54"/2.13"/2.66"/ 2.9"/3.5"/4.3"/4.2"

## ESL rails for shelf-edge



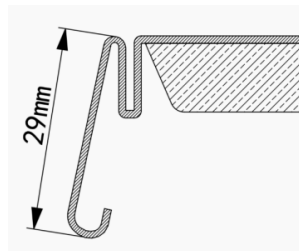
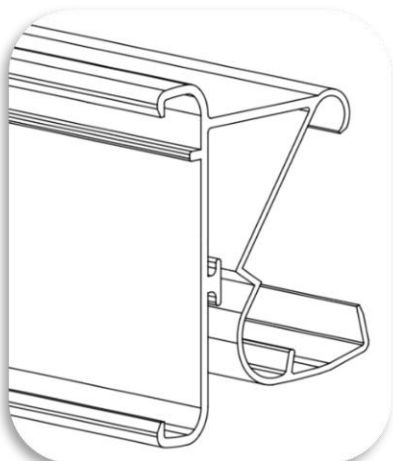
Rail for TEGO shelf 29mm, two angle

Model No.	Material	Color	Compatible ESL
RAIL-DGB2783	PVC	Clear	1.54"/2.13"/2.66"/ 2.9"/3.5"/4.2"



Rail for TEGO Shelf 29mm

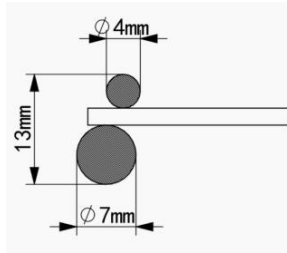
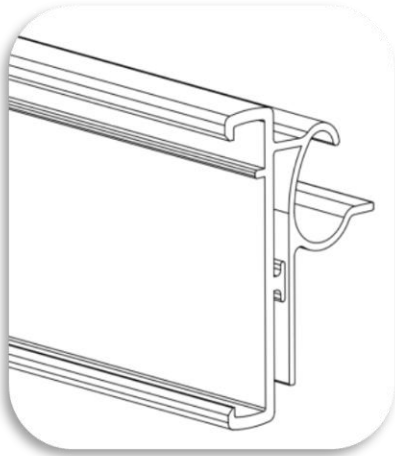
Model No.	Material	Color	ESL
RAIL-DGB2962	PVC	Clear	1.54"/2.13"/2.66"/ 2.9"/3.5"/4.2"



Rail for TEGO Shelf 29mm, two angle

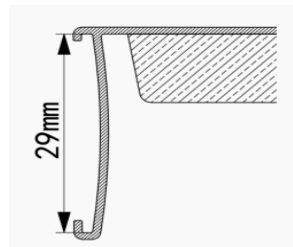
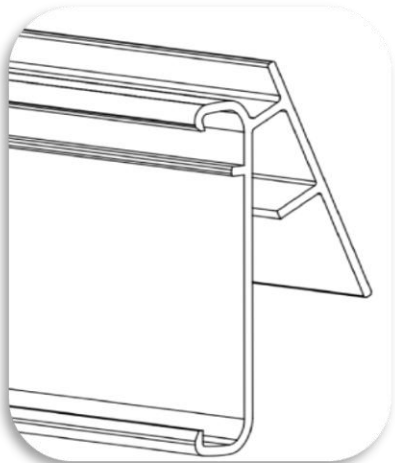
Model No.	Material	Color	ESL
RAIL-DGB2783L	PVC	Clear	1.54"/2.13"/2.66"/ 2.9"/3.5"/4.2"

## ESL rails for shelf-edge



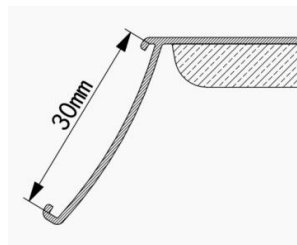
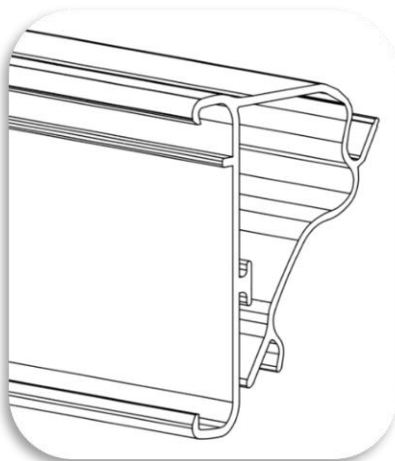
Rail for double wire shelf

Model No.	Material	Color	Compatible ESL
RAIL-DGD1360	PVC	Clear	1.54"/2.13"/2.66"/ 2.9" /3.5"/4.2"



Rail to insert to C-Channel 29mm shelf

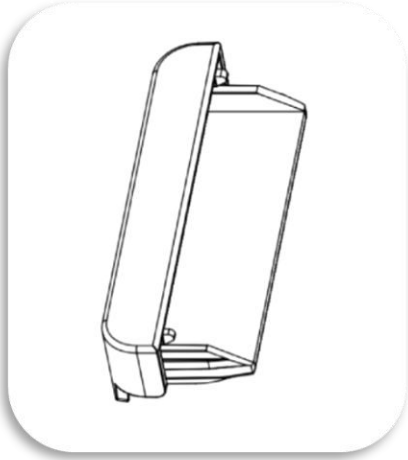
Model No.	Material	Color	ESL
RAIL-DGC2738	PVC	Clear	1.54"/2.13"/2.66"/ 2.9" /3.5"/4.2"



Rail for C-Channel 30mm Shelf

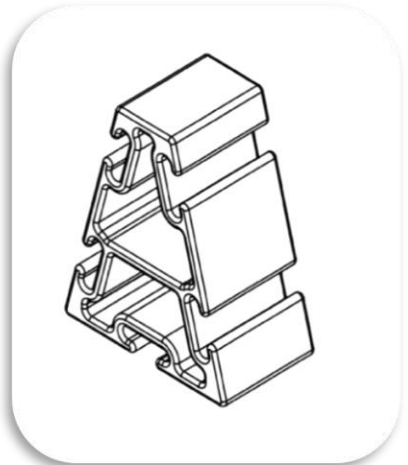
Model No.	Material	Color	ESL
RAIL-DGC2308L	PVC	Clear	1.54"/2.13"/2.66"/ 2.9" /3.5"/4.2"

## ESL rails for shelf-edge



Rail end cap  
Insert to the rail end

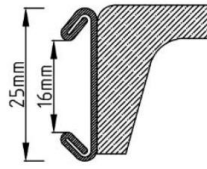
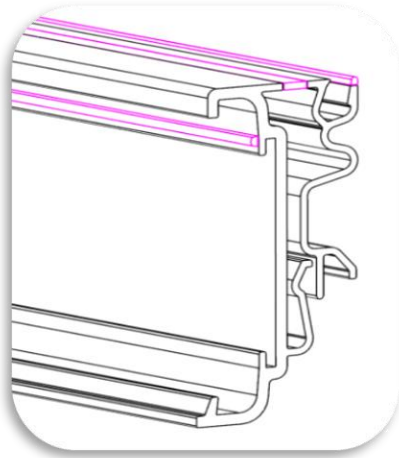
Model No.	Material	Color
RAIL-DGD0001	PC	Clear



Angle Block  
Insert to the slot of rear part of rail for display angle adjustment

Model No.	Material	Color
RAIL-DGD0002	PVC	Clear

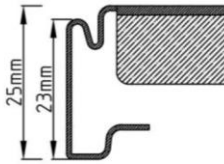
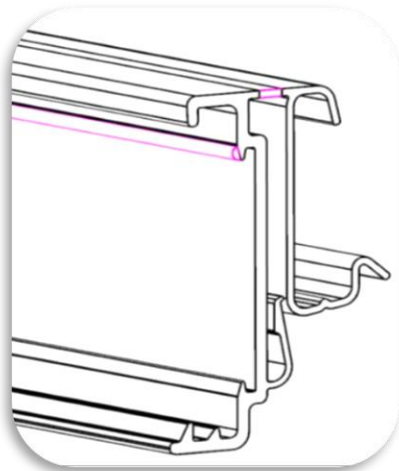
## ESL rails for shelf-edge



HMY P25/La Fortezza F25/  
Alser Innovation V4/ELEA 25

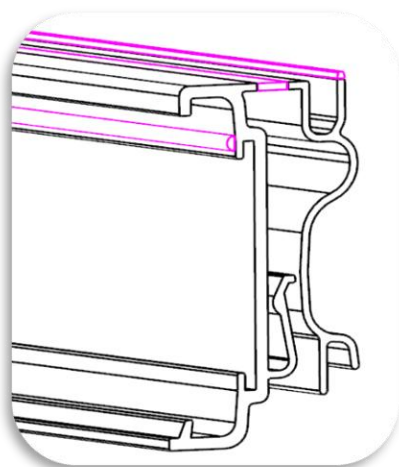
Customer Oriented Design Only

Model No.	Material	Color
ESL-DGX-NKG-024	PVC	Clear



Cefla System 25mm

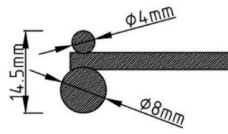
Model No.	Material	Color
ESL-DGX-WKG-025	PVC	Clear



C-Channel 30mm

Model No.	Material	Color
ESL-DGX-NKG-026	PVC	Clear

## ESL rails for shelf-edge



Wanzl/Cefla/Intrac  
Double Wire 14.5mm



Model No.	Material	Color
ESL-DGX-STG-023	PVC	Clear



Way of use 1: 25°



Way of use 2: 45°

Angle block

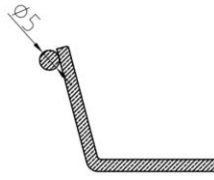
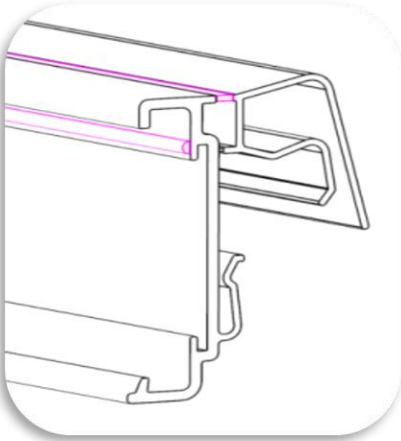
Model No.	Material	Color
ESL-QTX-DGP-002	PC	Clear



Retail end cap

Model No.	Material	Color
ESL-QTX-DGP-001	PC	Clear

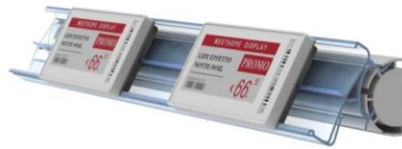
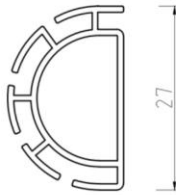
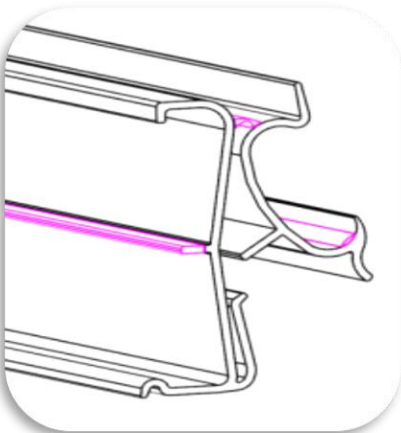
## Rail Holders



Wire  $\phi$ 5-8mm

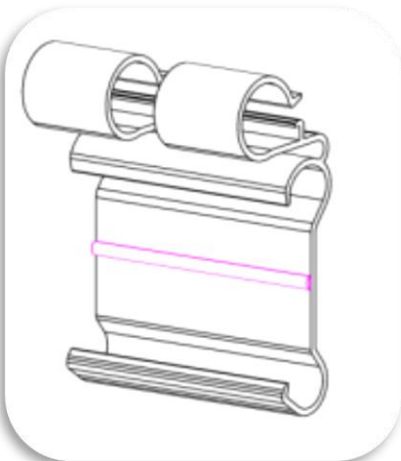
Holder 45mm for wire

Model No.	Material	Color
ESL-DGX-NKG-037	PVC	Clear



Holder 45mm for slimline shelf

Model No.	Material	Color
ESL-DGX-WKG-028	PVC	Clear



$\phi$ 3~6mm

Peg hook holder

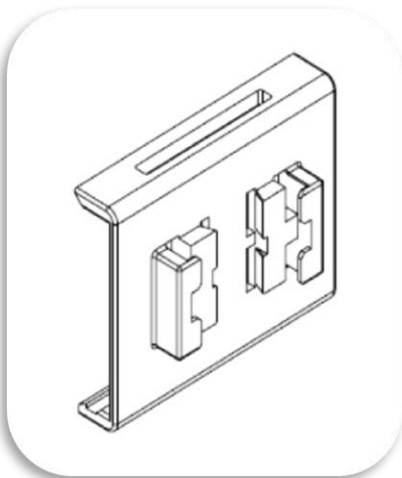
Model No.	Material	Color
ESL-GGH-GGZ-001	PVC	Clear

## Universal adaptor



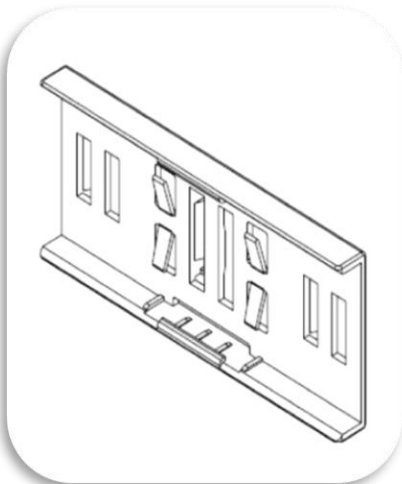
Adaptor S

Model No.	Material	Color	ESL
BOARD-BBB0001-S	PC	Clear	1.54"/2.13"/2.66"/2.9"/ 3.5"/4.3"/4.2"



Adaptor M

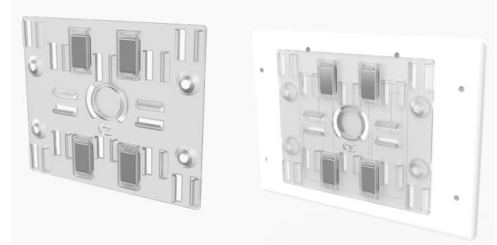
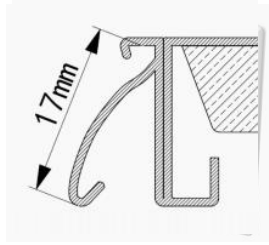
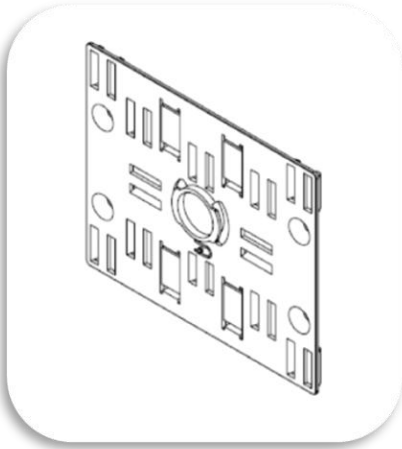
Model No.	Material	Color	ESL
BOARD-BBB0002-M	PC	Clear	1.54"/2.13"/2.66"/2.9"/ 3.5"/4.3"/4.2"



Adaptor L

Model No.	Material	Color	ESL
BOARD-BBB0003-L	PC	Clear	2.66"/2.9"/3.5"/4.3"/ 4.2"

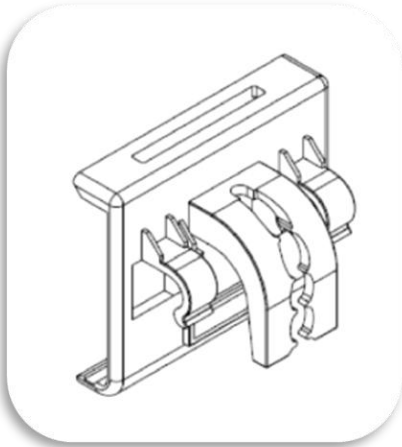
## Universal adaptor



Adaptor XL  
Screwable adaptor plate or use with clips, hooks, magnetic blocks for large size labels from 5.8inch~13.3inch

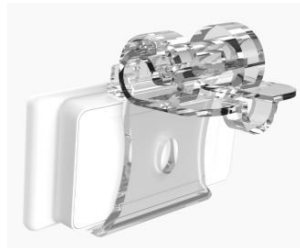
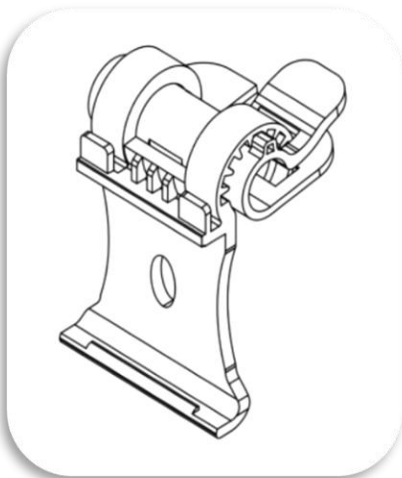
Model No.	Material	Color	ESL
BOARD- BBB0004-XL	PC	Clear	5.83"/7.5"/10.2"/13.3"

## Peg Hook Holder



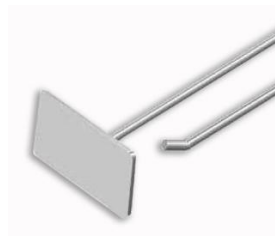
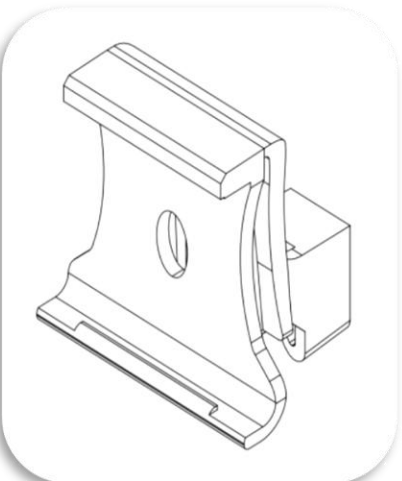
Peg Hook Holder 3 angle

Model No.	Material	Color	ESL
HOOK-GJA0001	PC	Clear	1.54"/2.13"/2.66"/2.9"/3.5"/4.2"



Peg Hook Holder with lock Adjustable display angle

Model No.	Material	Color	ESL
HOOK-GJA0003	PC	Clear	1.54"/2.13"/2.66"/2.9"/3.5"/4.2"



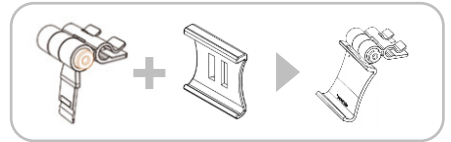
Holder for Peg hook with plate Fixed display angle

Model No.	Material	Color	ESL
HOOK-GJB0003	PC	Clear	1.54"/2.13"/2.66"/2.9"/3.5"/4.2"

## Peg Hook Holder



φ3~6mm T Hook

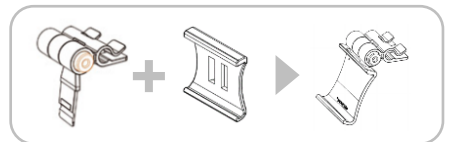


Peg Hook Holder S6  
Compatible with dia. 3~6mm T-Hook  
Adjustable display angle  
Additional adaptor is required

Model No.	Material	Color	ESL	+
HOOK-GJA0001	PC	Clear	1.54"/2.13"/2.66 "/2.9"/3.5"/4.2"	Adaptor

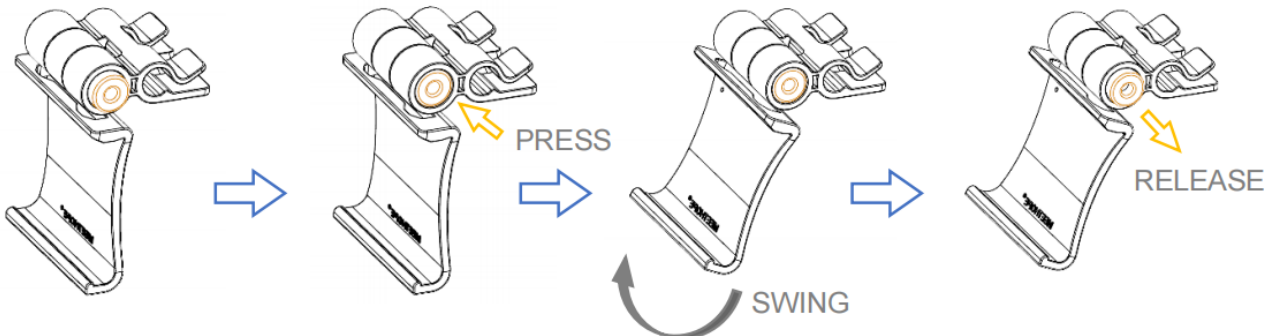


φ3~6mm T Hook



Peg Hook Holder S8  
Compatible with dia. 5~8mm T-Hook  
Adjustable display angle  
Additional adaptor is required

Model No.	Material	Color	ESL	+
	PC	Clear	1.54"/2.13"/2.66 "/2.9"/3.5"/4.2"	Adaptor



## Clamp



Clear clamp for 4.2" ESL (No adaptor required)  
Adjustable display angle  
Option: Compatible with adaptor M for other Label size

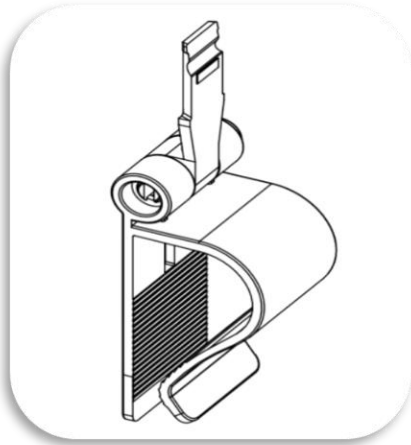
Model No.	Material	Color	ESL	+
CLAMP-JZA0001-S	PC	Clear	4.2"	None



Universal Clamp  
Adjustable display angle

Model No.	Material	Color	ESL	+
CLAMP-JZC0001-M	PC	Black	All size	Adaptor S/XL

## Clamp



Horizontal Clip  
Adjustable display angle

Model No.	Material	Color	ESL	+
HOOK-GJA0004	PC	Clear	1.54"/2.66"/ 2.9"/4.3"/ 4.2"	Adaptor S/M/L



Universal Clamp  
Adjustable display angle

Model No.	Material	Color	ESL	+
HOOK-GJA0005	PC	Clear	1.54"/2.66"/ 2.9"/4.3"/ 4.2"	Adaptor S/M/L

## Table Stand



Table stand S  
Adjustable display angle

Model No.	Material	Color	ESL	+
STAND-LPA0001-S	PC	Clear	1.54"/2.13"/ 2.66"/2.9"/ 4.3"	Adaptor S



Table stand L  
Fixed angle

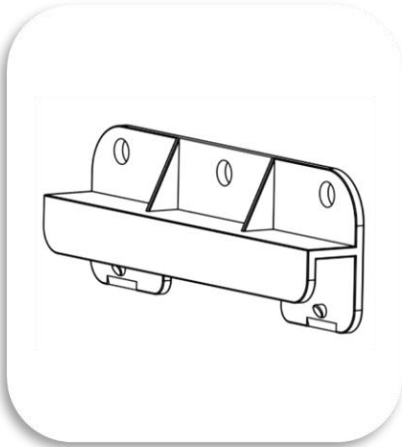
Model No.	Material	Color	ESL	+
STAND-LPD0001-L	PC	Clear	4.2"/5.83"/ 7.5"	Adaptor S/XL



Table stand for 4.2" ESL  
Fixed angle

Model No.	Material	Color	ESL	+
STAND-LPB0001-M	PC	Clear	4.2"	None

## Hanging Accessories



Hanging adaptor  
Adjustable display angle

Model No.	Material	Color	ESL	+
HOOK-GJB0007	PC	Clear	5.83"/7.5"/ 10.2"/13.3"	Hanging Ring



Hanging ring  
Two diameters available: 25mm and 35mm

Model No.	Material	Color	ESL	+
LIFTING-DZD0003-25MM	Steel	Silver	5.83"/7.5"/ 10.2"/13.3"	Hanging adaptor
LIFTING-DZD0003-35MM	Steel	Silver	5.83"/7.5"/ 10.2"/13.3"	Hanging adaptor



Black Hook  
Hook 12mm for wire basket or wire

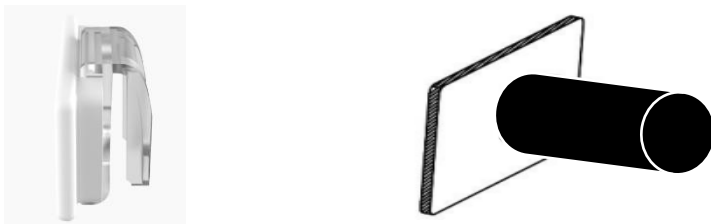
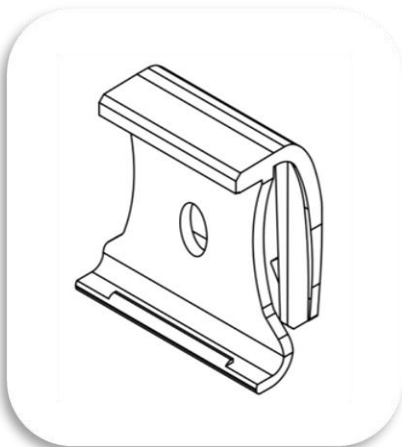
Model No.	Material	Color	ESL	+
LIFTING-DZD0001-12mm	PC	Black	All size	Adaptor S/XL

## Individual Holder



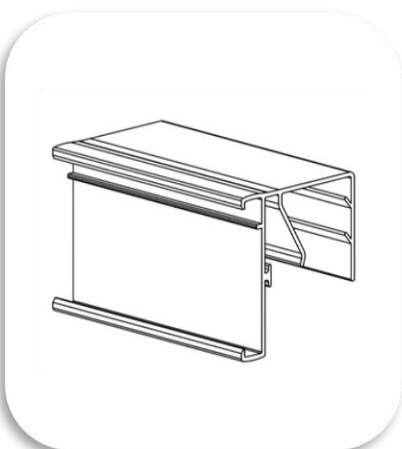
Holder for thickness 2mm vertical shelf  
Fixed angle

Model No.	Material	Color	ESL	+
HOOK-GJB0005	PC	Clear	1.54"/2.13"/ 2.66"/2.9"/ 4.3"/4.2"	None



Holder for peg hook with plate  
Fixed angle

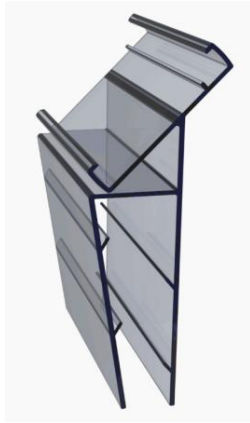
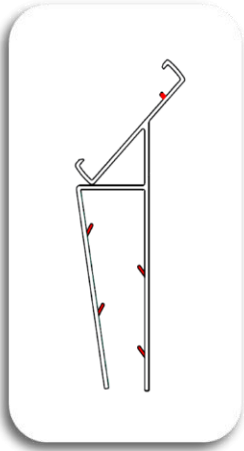
Model No.	Material	Color	ESL	+
HOOK-GJB0004	PC	Clear	1.54"/2.13"/ 2.66"/2.9"/ 4.3"/4.2"	None



Holder for thickness 18~20mm vertical shelf  
Fixed angle

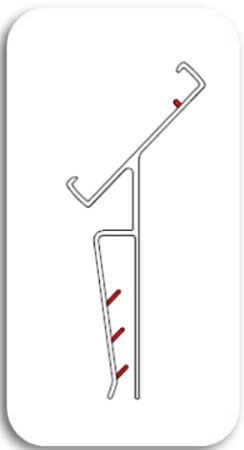
Model No.	Material	Color	ESL	+
HOOK-GJY0003-20mm	PVC	Clear	1.54"/2.13"/ 2.66"/2.9"/ 4.3"/4.2"	None

## Individual Holder



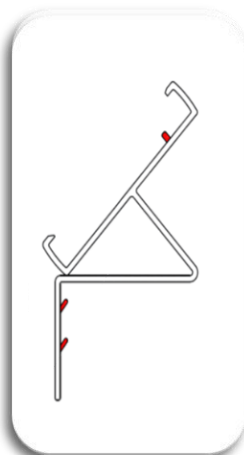
Holder for thickness 11-18mm vertical shelf  
Fixed angle

Model No.	Material	Color	ESL	+
STAND-LPY0001-18MM	PVC	Clear	1.54"/2.13" /2.66"/2.9" /4.3"/4.2"	None



Holder for thickness 5-8 mm vertical shelf Fixed angle

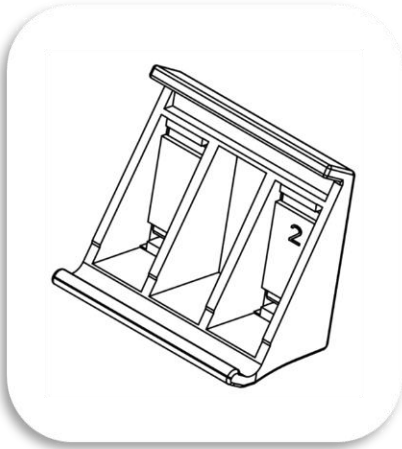
Model No.	Material	Color	ESL	+
STAND-LPY0002-8MM	PVC	Clear	1.54"/2.13" /2.66"/2.9" /4.3"/4.2"	None



Holder for slotted shelf Fixed angle

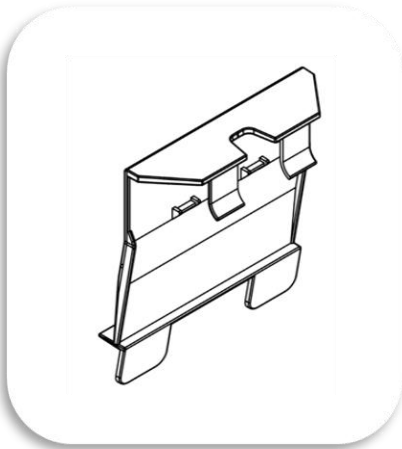
Model No.	Material	Color	ESL	+
STAND-LPY0003-1.5MM	PVC	Clear	1.54"/2.13" /2.66"/2.9" /4.3"/4.2"	None

## Individual Holder



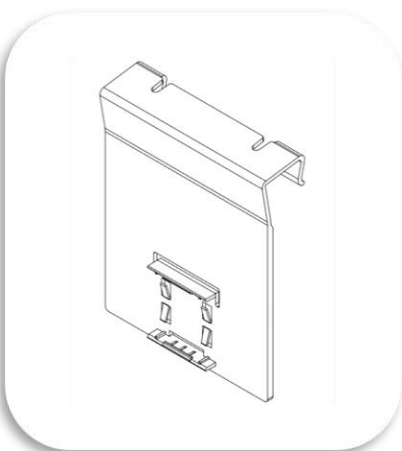
Holder with magnetic for steel shelf  
Fixed angle  
Holder and magnetic block delivered not assembled

Model No.	Material	Color	ESL	+
HOOK-GJB0001	PC	Clear	1.54"/2.13"/ 2.66"/2.9"/ 4.3"/4.2"	Magnetic block



Holder for thickness 20mm square bar  
Fixed angle

Model No.	Material	Color	ESL	+
HOOK-GJD0002-L	PC	Black	5.83"/7.5"/ 10.2"/13.3"	None



Holder for thickness 20mm square bar  
Fixed angle

Model No.	Material	Color	ESL	+
HOOK-GJB0004	PC	Clear	1.54"/2.13"/ 2.66"/2.9"/ 4.3"/4.2"	None

# M3 MOBILE

## Telescopic Stand



Telescopic Stand single side display  
Adjustable height 280~450mm and display angle  
Deliver not assembled

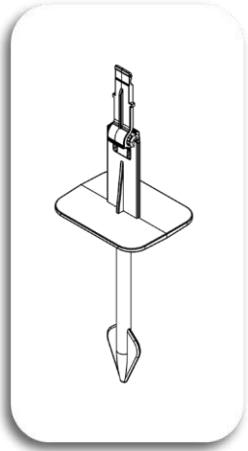
Model No.	Material	Color	ESL	+
STAND-LPC0001	Steel	Black	5.83"/7.5"/10.2"/13.3"	Adaptor S/XL



Telescopic Stand two side display  
Adjustable height 320~ 530mm  
Fixed angle  
Deliver not assembled

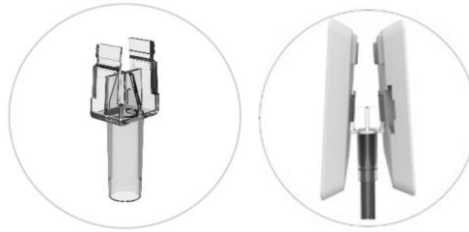
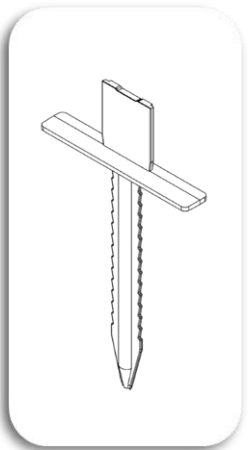
Model No.	Material	Color	ESL	+
STAND-LPD0002-D	Steel	Black	5.83"/7.5"/10.2"/13.3"	Adaptor S/XL

## Ice Stick



Ice stick  
Adjustable angle

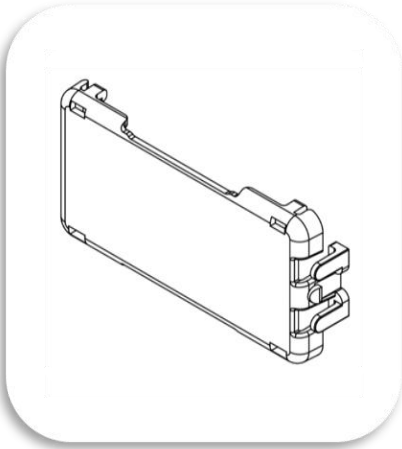
Model No.	Material	Color	ESL	+
PLUG-BCC0001	PC	White	1.54"/2.13"/ 2.66"/2.9"/ 4.3"/4.2"	Adaptor S/XL



Ice stick for 4.2" ESL  
Fixed angle

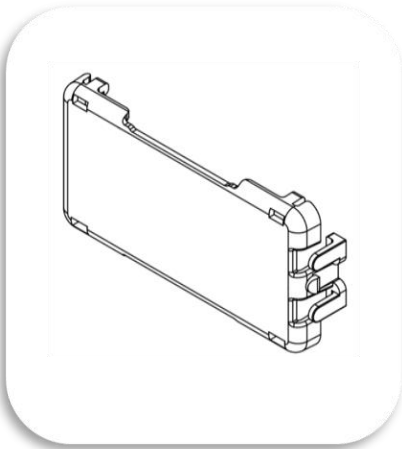
Model No.	Material	Color	ESL	+
PLUG-BCD0001	PVC	White	4.2"	None

## Protective cover



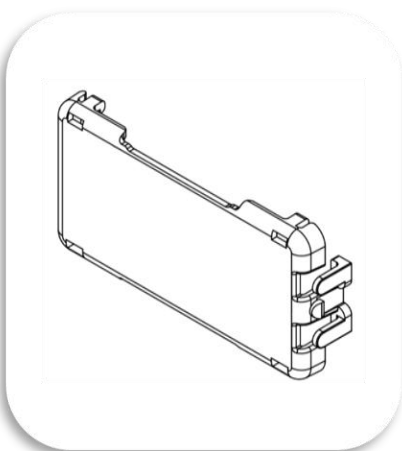
Protective cover for 2.13" ESL  
With slot on the side to put promo printings

Model No.	Material	Color	ESL	+
PARTS-PJB0006	PC	Clear	2.13"	



Protective cover for 2.66" ESL  
With slot on the side to put promo printings

Model No.	Material	Color	ESL	+
PARTS-PJB0005	PC	Clear	2.66"	



Protective cover for 2.9" ESL  
With slot on the side to put promo printings

Model No.	Material	Color	ESL	+
PARTS-PJB0001	PC	Clear	2.9"	

## Other



Remove tool  
Remove ESL from rails and accessories

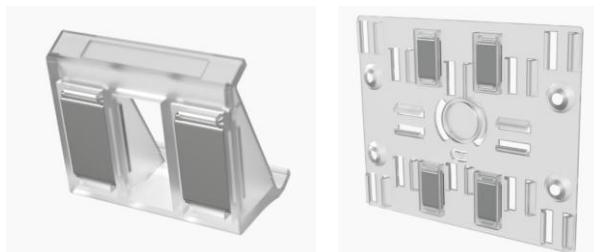


Model No.	Material	Color
PARTS-PJB0006	PC	Clear



Double face tape  
10 meters length

Model No.	Material	Color
PARTS-PJG0002	PVC	Clear



Magnetic block  
Insert to the slot of adaptor XL or Holder with slot

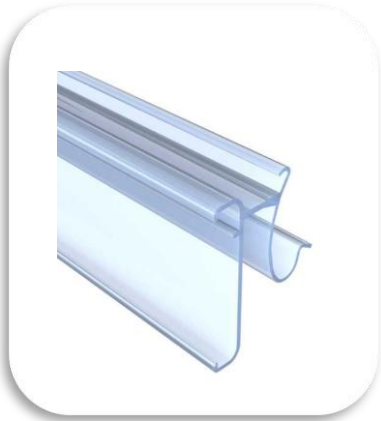
Model No.	Material	Color	+
PARTS-PJD0002	Magnetic	Silver	Adaptor XL or magnetic holder

## Tips

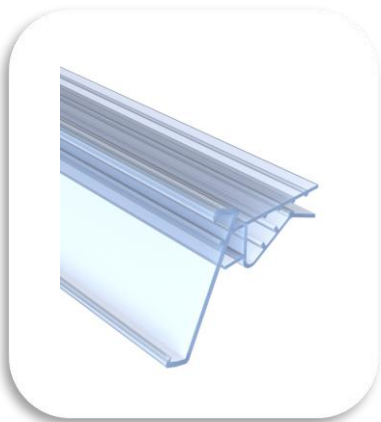
All the rails can be cut into Individual Rail Holder, the fastest way to insert or clip to shelf or in-store existing rail. The standard length of Individual Rail Holder is 45mm, customized length is also available.



Individual flat rail insert to in-store existing rail



Individual rail clip to streamline shelf



Individual rail clip to 5~10mm glass shelf

## Tips

### Adaptor M

Holders special for ESL 4.2" can be used with this adaptor M thus to be compatible to other small labels from 1.54inch~3.5inch.

