



# SL20K

Mobile Computer with keypad  
Accessories Guide

# SL20K

## ACC. Map



Power Supply ←



SL2K-PWSP-CEU

Cradle ←

SL2K-PWSP-2XX



1-Slot charging only cradle / SL2K-1CRD-C00



2-Slot charging only / SL2K-2CRD-C00  
2-Slot charging & USB (Client) / SL2K-2CRD-CC0  
2-Slot charging & Ethernet cradle / SL2K-2CRD-EC0



8-Slot charging only / SL2K-8CRD-C00  
8-Slot charging & USB (Client) / SL2K-8CRD-E00



UNIV-PWSP-8XX

Trigger →



Trigger Handle / SL2K-TRIG-S00

Etc.



Hand strap (10/50 pcs) / SL2K-STRP (-S10/-S50)



LCD Protect Film / SL2K-SCPR



Rubber boot / SL2K-BOOT-01

Battery ↓



Battery(5,200mAh) / SL2K-BATT-S52

# Power Supply

Charging

Compatible



## SL2K-PWSP-CEU

SL20K USB Adaptor

MODEL	SL2K-PWSP-CEU
Input	100~240VAC
Output	5VDC / 2A
Compatibility	SL20K



L2KW0C-T2CWAS-HF-01  
L2KW0C-TECWAS-HF-01  
L2KX4C-T2CWAS-HF-01  
L2KX4C-TECWAS-HF-01  
L2KW0C-TERWAS-00-01  
L2KW0C-TERWAS-00-02

# 1 Slot Cradle

Charging

Compatible



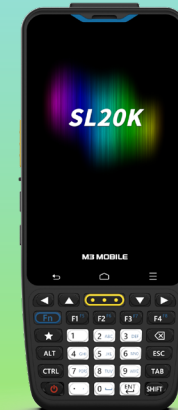
## SL2K-1CRD-C00

1-Slot charging only cradle

MODEL	SL2K-1CRD-C00
I/O	DC
Input	5V / 3A
Dimension	112x156x78.3
Weight	290g
Compatibility	SL20K



SL2K-PWSP-2XX



- L2KW0C-T2CWAS-HF-01
- L2KW0C-TECWAS-HF-01
- L2KX4C-T2CWAS-HF-01
- L2KX4C-TECWAS-HF-01
- L2KW0C-TERWAS-00-01
- L2KW0C-TERWAS-00-02



SL2K-BATT-S52  
Battery(5,200mAh)

# 2 Slot Cradle

Charging

Compatible



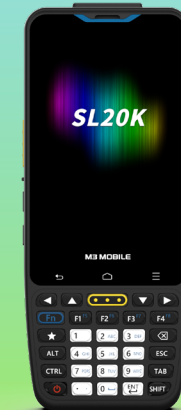
## SL2K-2CRD-C00

2-Slot charging only cradle

MODEL	SL2K-2CRD-C00
I/O	DC
Input	5V / 3A
Dimension	112x156x78.3
Weight	290g
Compatibility	SL20K



SL2K-PWSP-2XX



- L2KW0C-T2CWAS-HF-01
- L2KW0C-TECWAS-HF-01
- L2KX4C-T2CWAS-HF-01
- L2KX4C-TECWAS-HF-01
- L2KW0C-TERWAS-00-01
- L2KW0C-TERWAS-00-02



SL2K-BATT-S52  
Battery(5,200mAh)

# 2 Slot Cradle

Charging & Data transfer



Compatible



SL2K-PWSP-2XX



- L2KW0C-T2CWAS-HF-01
- L2KW0C-TECWAS-HF-01
- L2KX4C-T2CWAS-HF-01
- L2KX4C-TECWAS-HF-01
- L2KW0C-TERWAS-00-01
- L2KW0C-TERWAS-00-02



SL2K-BATT-S52  
Battery(5,200mAh)

## SL2K-2CRD-CC0

2-Slot charging & USB (Client) cradle

MODEL	SL2K-2CRD-CC0
I/O	DC / USB-C type Client
Input	5V / 3A
Dimension	112x156x78.3
Weight	290g
Compatibility	SL20K

## SL2K-2CRD-EC0

2-Slot charging & Ethernet cradle

MODEL	SL2K-2CRD-EC0
I/O	DC / USB-C type Client / ETHERNET PORT
Input	12V / 3A
Dimension	105x154x86mm
Weight	DC / USB-C type Client / ETHERNET PORT
Compatibility	SL20K

# Power Supply

Charging

Compatible



## SL2K-PWSP-2XX

Power Supply for 1 slot/2 slot cradle

MODEL	SL2K-PWSP-2XX
Input	100~240VAC
Output	5VDC / 3A
Compatibility	SL20K

Depending on the type of connector at the end

SL2K-PWSP-2EU  
SL2K-PWSP-2KR



SL2K-1CRD-C00  
1 Slot Cradle



SL2K-2CRD-C00  
SL2K-2CRD-CC0  
2 Slot Cradle

# 8 Slot Cradle

Charging

Compatible



## SL2K-8CRD-C00

8-Slot charging only cradle

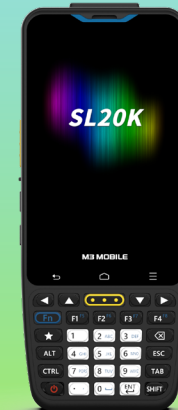
MODEL	SL2K-8CRD-C00
I/O	DIN4
Input	12V / 7A
Dimension	450x156x88.3
Weight	720g
Compatibility	SL20K



UNIV-PWSP-8XX



SL2K-BATT-S52  
Battery(5,200mAh)



- L2KW0C-T2CWAS-HF-01
- L2KW0C-TECWAS-HF-01
- L2KX4C-T2CWAS-HF-01
- L2KX4C-TECWAS-HF-01
- L2KW0C-TERWAS-00-01
- L2KW0C-TERWAS-00-02



# 8 Slot Cradle

Charging & Data transfer

Compatible



## SL2K-8CRD-E00

8-Slot Charging & Ethernet Cradle

MODEL	SL2K-8CRD-E00
I/O	DIN4
Input	12V / 7A
Dimension	450x156x88.3
Weight	720g
Compatibility	SL20K

UNIV-PWSP-8XX

SL2K-BATT-S52  
Battery(5,200mAh)

L2KW0C-T2CWAS-HF-01  
L2KW0C-TECWAS-HF-01  
L2KX4C-T2CWAS-HF-01  
L2KX4C-TECWAS-HF-01  
L2KW0C-TERWAS-00-01  
L2KW0C-TERWAS-00-02

# Power Supply

Charging

Compatible



## UNIV-PWSP-8XX

Power Supply for 8 slot cradle

MODEL	UNIV-PWSP-8XX
Input	100~240VAC
Output	12VDC / 7A
Compatibility	SL20K

Depending on the type of connector at the end

UNIV-PWSP-8 **EU**  
UNIV-PWSP-8 **KR**



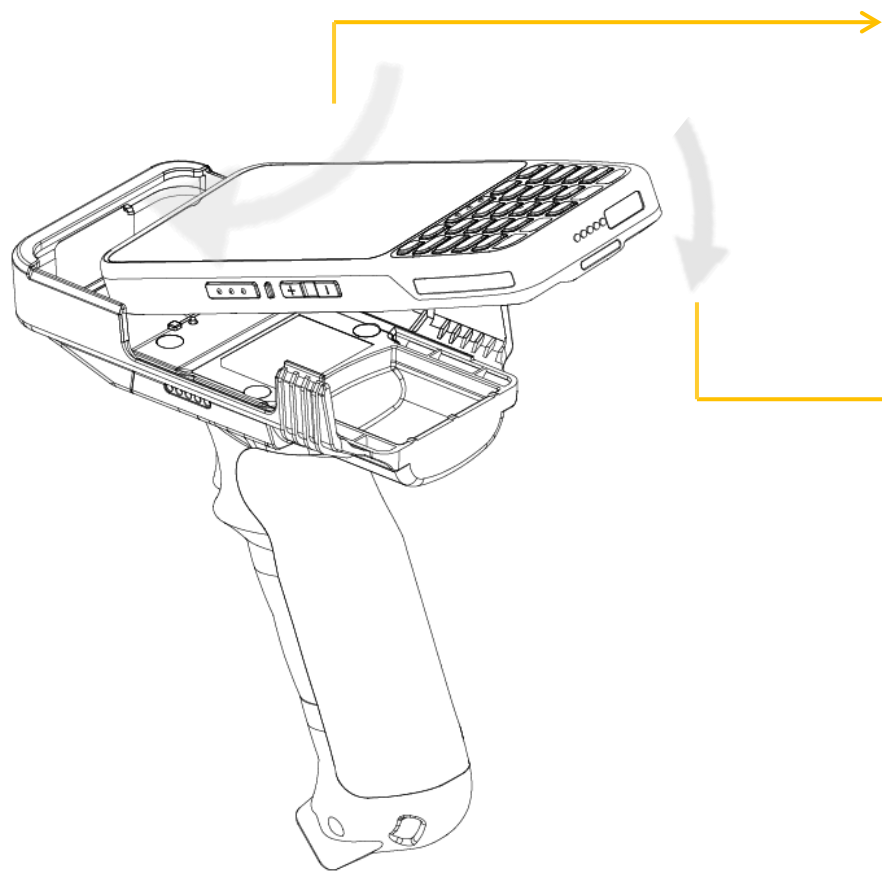
SL2K-8CRD-C00  
SL2K-8CRD-E00  
8 Slot Cradle

# How to use SL20K Trigger

Watch the video for a detailed guide.



## When combining the SL20K device with a trigger



① Align the top part of the device with the top opening of the boot and insert it first.

② Place the boot on a stable surface or hold it firmly in your palm.

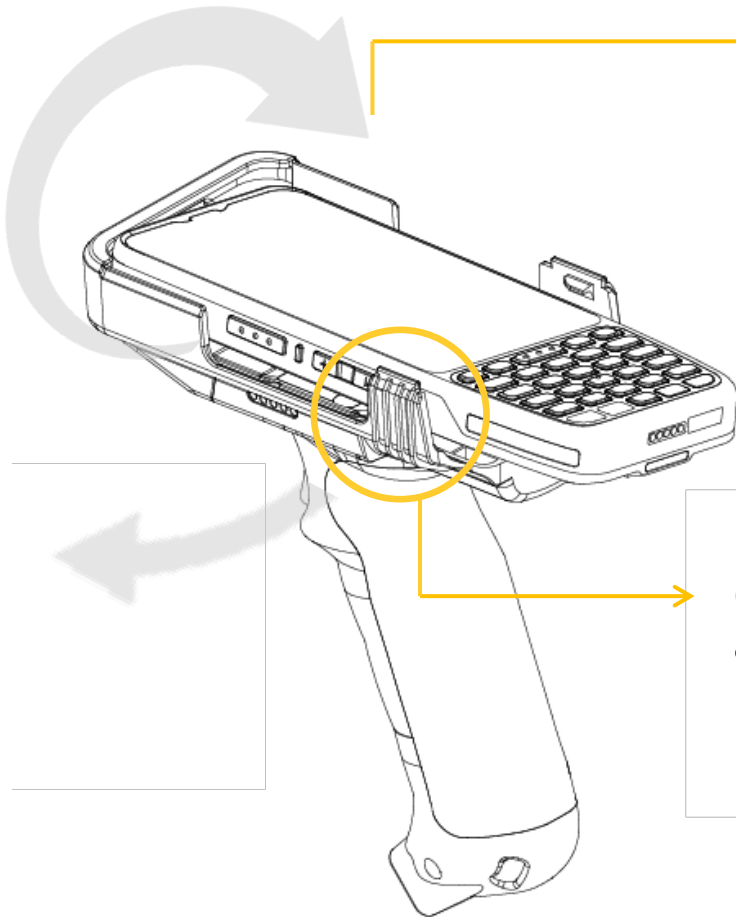
Then, press down firmly on the bottom part of the device (keypad area) until you hear a "click" sound, ensuring a secure attachment to the boot.

# How to use SL20K Trigger

Watch the video for a detailed guide.



## When detaching the SL20K device from the trigger



② Pull the device downward while simultaneously rotating it to the right to detach it from the boot. (At this time, firmly grip the trigger handle with your left hand.)

① Push the designated guide holder as far to the left as possible using your thumb.

# Trigger

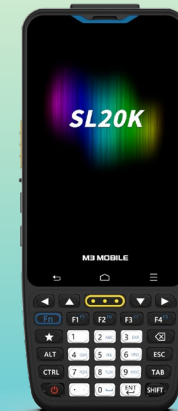


## SL2K-TRIG-S00

Trigger Handle for SL20K

MODEL	SL2K-TRIG-S00
Dimension	130 x 75x 166mm
Weight	120g
Compatibility	SL20K

## Compatible



L2KW0C-T2CWAS-HF-01  
L2KW0C-TECWAS-HF-01  
L2KX4C-T2CWAS-HF-01  
L2KX4C-TECWAS-HF-01  
L2KW0C-TERWAS-00-01  
L2KW0C-TERWAS-00-02



**SL2K-STRP  
(-S10/-S50)**

Hand strap  
(10/50 pcs)



**SL2K-SCPR**

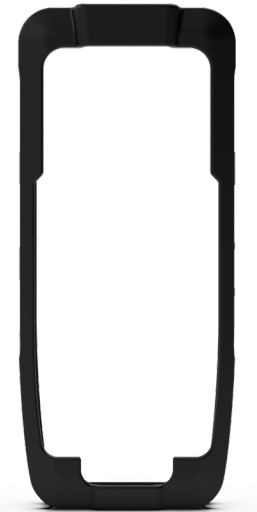
LCD Protect Film



**SL2K-BATT-S52**

Battery(5,200mAh)

**etc.**  
Miscellaneous



**SL2K-BOOT-01**

Rubber boot