

M3 US20 Series

Accessory Specs sheet

Version 1.3 © 2021

Korea Headquarter Seoul, Korea | sales@m3mobile.co.kr | +82-(0)2-574-0037

Europe Headquarter Germany, Frankfurt | sales_eu@m3mobile.net | +49-(0)-6190-8021829

www.m3mobile.net

Revision

Release date of version 1.0: Dec. 2020

- Initial distribution

Release date of version 1.1: Dec. 2020

- Update of specifications

Release date of version 1.2: Apr. 2021

- Update of specifications

Release date of version 1.3: July 2021

- Update of specifications

Table of Contents

Contents

1.	2-Slot Charging Cradle.....	5
1.1	Specification	5
1.2	Use Case	5
1.2.1	Fast Charging	5
1.2.2	USB host client.....	5
1.2.3	Easy to use.....	5
2.	2-Slot Ethernet Cradle	6
2.1	Specification	6
2.2	Use Case	6
2.2.1	Fast Charging	6
2.2.2	Ethernet Connection and USB Sync	6
2.2.3	Easy to use.....	6
3.	5-Slot Charging Cradle.....	7
3.1	Specification	7
3.2	Use Case	7
3.2.1	Fast Charging	7
3.2.2	USB host client.....	7
3.2.3	Easy to use.....	7
4.	5-Slot Ethernet Cradle	8
4.1	Specification	8
4.2	Use Case	8
4.2.1	Fast Charging	8
4.2.2	Ethernet Connection and USB Sync	8
4.2.3	Easy to use.....	8
5.	5-Slot Charging Cradle for 4 x US20 & 4 Batteries.....	9
5.1	Specification	9
5.2	Use Case	9
5.2.1	Fast Charging	9
5.2.2	USB host client.....	9
5.2.3	Easy to use.....	9
6.	5-Slot Ethernet Cradle for 4 x US20 & 4 Batteries	10

6.1	Specification	10
6.2	Use Case	10
6.2.1	Fast Charging	10
6.2.2	Ethernet Connection and USB Sync	10
6.2.3	Easy to use.....	10
7.	4-Slot Battery Charger	11
7.1	Specification	11
8.	20-Slot Battery Charger	11
8.1	Specification	11
9.	Trigger Handle	12
9.1	Specification	12
9.2	Use Case	12
9.2.1	Formal environment.....	12
9.2.2	How to combine.....	12
10.	Vehicle Cradle	13
10.1	Specification	13
10.2	Use Case	13
10.2.1	Vehicle environment.....	13
10.2.2	Easy to use.....	13
11.	Forklift Cradle	15
11.1	Specification	15
11.2	Use Case	15
11.2.1	Vehicle environment.....	15
11.2.2	Easy to use.....	15
12.	Soft type Fabric Holster	17
12.1	Use Case	17
13.	Hard type Fabric Holster	18
13.1	Use Case	18
14.	Hand Strap	19
14.1	Hand Strap for Straight Shooter(0° Scan) US20	19
14.2	Hand Strap for 45° Scan US20.....	19
14.3	Hand Strap for Trigger Handle.....	19
15.	Contacts	20

1. 2-Slot Charging Cradle

- Application Devices: US20X / US20W



1.1 Specification

Model	2-Slot Charging Cradle
I/O	DC / USB-C type OTG
Input	DC 12V / 3A
Dimension	105 x 153.6 x 85.8 mm
Weight	387g
Compatibility	US20X / US20W

1.2 Use Case

1.2.1 Fast Charging

Charging in about 4 Hours (20 minutes deviation)

1.2.2 USB host client

You can use Charging & USB Cradle in various business.

1.2.3 Easy to use

i. Connect US20 to the Charging Cradle → ii. Charging or Data Connection.

2. 2-Slot Ethernet Cradle

- Application Devices: US20X / US20W



2.1 Specification

Model	2-Slot Ethernet Cradle
I/O	DC / USB-C type Client / RJ-45
Input	DC 12V / 3A
Dimension	105 x 153.6 x 85.8 mm
Weight	387g
Compatibility	US20X / US20W

2.2 Use Case

2.2.1 Fast Charging

Charging in about 4 Hours (20 minutes deviation)

2.2.2 Ethernet Connection and USB Sync

You can use Ethernet Cradle in various business.

USB Sync	Ethernet Connection
Data connection	You can use Local Area Network Via US20 series with Ethernet Cradle

2.2.3 Easy to use

i. Connect US20 to the Ethernet Cradle → ii. Charging or Data Connection.

3. 5-Slot Charging Cradle

- Application Devices: US20X / US20W



3.1 Specification

Model	5-Slot Charging Cradle
I/O	DIN4
Input	DC 12V / 12.5A
Dimension	446 x 151.2 x 90.2 mm
Weight	1450g
Compatibility	US20X / US20W

3.2 Use Case

3.2.1 Fast Charging

Charging in about 4 Hours (30 minutes deviation)

3.2.2 USB host client

You can use Charging & USB Cradle in various business.

3.2.3 Easy to use

i. Connect US20 to the Charging Cradle → ii. Charging or Data Connection.

4. 5-Slot Ethernet Cradle

- Application Devices: US20X / US20W



4.1 Specification

Model	5-Slot Ethernet Cradle
I/O	DIN4 / RJ-45
Input	DC 12V / 12.5A
Dimension	446 x 151.2 x 90.2 mm
Weight	1463g
Compatibility	US20X / US20W

4.2 Use Case

4.2.1 Fast Charging

Charging in about 4 Hours (30 minutes deviation)

4.2.2 Ethernet Connection and USB Sync

USB Sync	Ethernet Connection
Data connection	You can use Local Area Network Via US20 series with Ethernet Cradle

4.2.3 Easy to use

i. Connect US20 to the Ethernet Cradle → ii. Charging or Data Connection.

5. 5-Slot Charging Cradle for 4 x US20 & 4 Batteries

- Application Devices: US20X / US20W



5.1 Specification

Model	5-Slot Charging Cradle for 4 x US20 & 4 Batteries
I/O	DIN4
Input	DC 12V / 12.5A
Dimension	446 x 151.2 x 90.2 mm
Weight	1531g
Compatibility	US20X / US20W

5.2 Use Case

5.2.1 Fast Charging

Charging in about 7 Hours (30 minutes deviation)

5.2.2 USB host client

You can use Charging & USB Cradle in various business.

5.2.3 Easy to use

i. Connect US20 to the Charging Cradle → ii. Charging or Data Connection.

6. 5-Slot Ethernet Cradle for 4 x US20 & 4 Batteries

- Application Devices: US20X / US20W



6.1 Specification

Model	5-Slot Ethernet Cradle for 4 x US20 & 4 Batteries
I/O	DIN4 / RJ-45
Input	DC 12V / 12.5A
Dimension	446 x 151.2 x 90.2 mm
Weight	1531g
Compatibility	US20X / US20W

6.2 Use Case

6.2.1 Fast Charging

Charging in about 7 Hours (30 minutes deviation)

6.2.2 Ethernet Connection and USB Sync

USB Sync	Ethernet Connection
Data connection	You can use Local Area Network Via US20 series with Ethernet Cradle

6.2.3 Easy to use

- i. Connect US20 to the Ethernet Cradle →
- ii. Charging or Data Connection

7. 4-Slot Battery Charger

- Application Devices: US20X / US20W



7.1 Specification

Model	4-Slot Battery Charger
I/O	DC
Input	DC 12V / 3A
Dimension	88.4 x 151.2 x 75.2 mm
Weight	387g
Compatibility	US20X / US20W

8. 20-Slot Battery Charger

- Application Devices: US20X / US20W



8.1 Specification

Model	20-Slot Battery Charger
I/O	DIN4
Input	DC 12V / 12.5A
Dimension	446 x 151.2 x 81.6 mm
Weight	1710g
Compatibility	US20X / US20W

9. Trigger Handle

- Application Devices: US20X / US20W (0° SKU only)



9.1 Specification

Model	Trigger Handle
I/O	N/A
Input	N/A
Dimension	71 x 107.5 x 147.6 mm
Weight	95g
Compatibility	US20X / US20W

9.2 Use Case

9.2.1 Formal environment

The trigger handle has essential functions properly in industrial environments.
The design is ergonomically made by measurement in mechanical team.

9.2.2 How to combine

1. Loosen the four screws on the bottom of the device.
2. Insert the Trigger Handle into the shaft at the bottom of the camera.
3. Assemble with 4 screws supplied with the Trigger Handle.
4. Installation of Trigger Handle.

10. Vehicle Cradle

- Application Devices : US20X / US20W



10.1 Specification

Model	Vehicle Cradle
I/O	DC / USB
Input	DC 5V / 2A
Compatibility	US20X / US20W

10.2 Use Case

10.2.1 Vehicle environment

- Top holder tightly grip the terminal considering size of the terminal.
- 2 Types Ram mount: Depending on the fixed method, the Ram mount can be purchased and used selectively.

10.2.2 Easy to use

- Use the cradle as described below.



1. Combine the US20 into a Vehicle charging station.



2. Depending on the method of fixing the cradle, two types of Ram mount can be optionally used. (Vehicle Screw Mount or Vehicle Suction Mount)



3. Connect the Auto Charger Cable to the back of the Vehicle charging station.



4. If necessary, the USB cable can be connected to the back of the Vehicle charging station.

The host cable and the client cable are separated.

- The back of the Vehicle cradle without the Ram mount is shown below.



Note!

The charging stations of the Vehicle cradle and Forklift cradle are the same, but the input power is different and must be used with care.

11. Forklift Cradle

- Application Devices : US20X / US20W



11.1 Specification

Model	Forklift Cradle
I/O	DC / USB
Input	DC 12V / 3A
Compatibility	US20X / US20W

11.2 Use Case

11.2.1 Vehicle environment

- Top holder tightly grip the terminal considering size of the terminal.
- There is a dedicated charging cable for forklift cradle.

11.2.2 Easy to use

- Use the cradle as described below.



1. Combine the US20 into a Forklift charging station.



2. Screw together the double socket Arm mount and the Forklift charging station.



3-1. If the column of the forklift is angled: Attach the clamp base to the double socket Arm mount. (Square Type)



3-2. If the column of the forklift is not angled: Attach the U-bolt base to the double socket Arm mount. (U-bolt Type)



4. Connect the extension input cable and the Forklift Voltage Power Converter to the back of the Forklift charging station.



5. If necessary, the USB cable can be connected to the back of the Forklift charging station.

The host cable and the client cable are separated.

- Attach the cradle to the forklift truck as shown in the picture below.



-bolt Type Forklift Cradle



Square Type Forklift Cradle

12. Soft type Fabric Holster

- Application Devices: US20X / US20W



- Hard type Fabric Holster with Strap, belt

12.1 Use Case



- It is possible to wear it on the waist with a belt, or lightly with a strap for the shoulder. Both are available regardless of trigger handle coupling.

13. Hard type Fabric Holster

- Application Devices : US20X / US20W



- Hard type Fabric Holster with belt, Side attach

13.1 Use Case

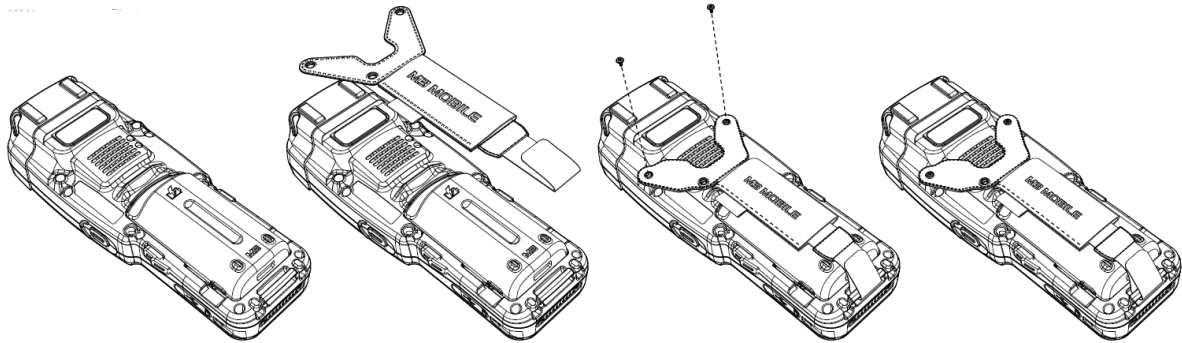


- Combine the waist belt and side belt to fasten the Holster tightly, making it easy to insert and remove the device.

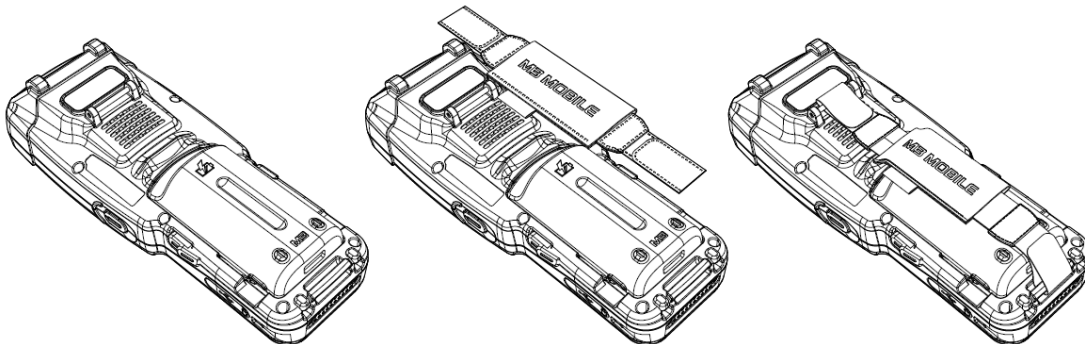
14. Hand Strap

- Application Devices: US20X / US20W

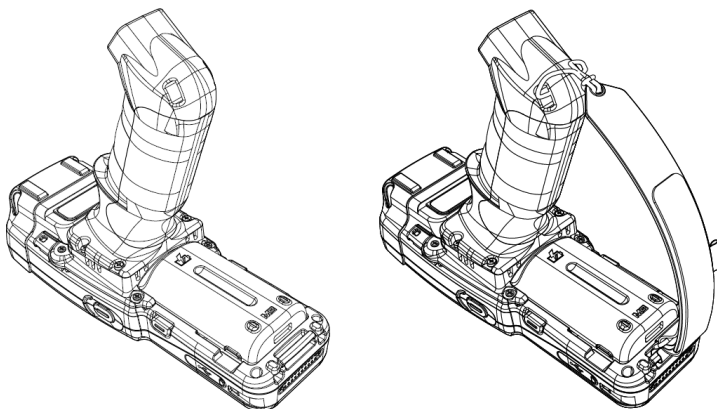
14.1 Hand Strap for Straight Shooter(0° Scan) US20



14.2 Hand Strap for 45° Scan US20



14.3 Hand Strap for Trigger Handle



15. Contacts

www.m3mobile.net / www.m3mobile.co.kr

Headquarter	Factory/Service Center	EU Headquarter
Seoul Korea	Bucheon Korea	Frankfurt Germany
+82-2574-0037	+82-32-623-0037	+49-6190-8021829
sales@m3mobile.co.kr	cs@m3mobile.co.kr	sales_all@m3mobile.co.kr